



EN

DeVilbiss® PulseDose® LT Compact Conserving Device Model PD1000 Instruction Guide

CAUTION- Federal (U.S.A.) law restricts this device to sale by or on the order of a physician.

 **DANGER- NO SMOKING**

ES

Aparato de Regulación Compacto PulseDose® LT DeVilbiss® Modelo PD1000 Guía de Instrucciones

PRECAUCIÓN- La ley federal de los EE.UU. limita la venta de este aparato a médico o bajo prescripción facultativa.

 **PELIGRO- NO FUMAR**

FR

Économiseur Compact DeVilbiss® PulseDose® LT Modèle PD1000 Guide de l'utilisateur

ATTENTION- La loi fédérale américaine limite la vente de cet appareil par ou sur ordonnance d'un médecin.

 **DANGER- INTERDICTION DE FUMER**

ENGLISH	4
ESPAÑOL	19
FRANÇAIS	36

TABLE OF CONTENTS

Important Safeguards	3
Introduction.....	6
Use Times	7
Important Parts of Your PulseDose Compact Conserving Device	8
Operating Instructions	10
Typical Questions and Answers	12
Care & Maintenance.....	14
Specifications	15
Troubleshooting	16
Important Information.....	18

IMPORTANT SAFEGUARDS

The information contained in this guide is intended to assist in the safe operation of the equipment and to ensure maximum benefit is achieved.

This product is to be used only to deliver medical grade (U.S.P.) oxygen and only with a physician's prescription.

READ ALL INSTRUCTIONS BEFORE USING.

SAVE THESE INSTRUCTIONS.

Oxygen supplied by this equipment is not to be considered life-supporting and must not supply anything other than medical grade (U.S.P.) oxygen.

When using electrical products, basic safety precautions should always be followed. Read all instructions before using.

Important information is highlighted by these terms:

DANGER– Urgent safety information for hazards that will cause serious injury or death.

WARNING– Important safety information for hazards that might cause serious injury.

CAUTION– Information for preventing damage to the product.

NOTE– Information to which you should pay special attention.



Consult operating instructions



DANGER– NO SMOKING



Type BF applied part

 **DANGER**

To reduce the risk of fire, burns, or injury to persons:

Oxygen, though non-flammable, vigorously supports and accelerates burning of any flammable material. If you know or suspect oxygen has escaped other than through normal operation, open doors and windows to ventilate the area.

1. DO NOT SMOKE WHILE USING YOUR DEVILBISS OXYGEN EQUIPMENT.

Keep matches, cigarettes, burning tobacco, or candles away from the area where the system is being stored or operated.

2. Avoid creation of any spark near oxygen equipment. This includes sparks from static electricity created by any type of friction.

3. Keep the equipment at least seven feet away from radios, television sets, window air conditioners, fans, electric razors, hair dryers, and all other electrical appliances.

4. Keep the equipment away from heat sources, electric or gas heaters of any kind, fireplaces, or stoves.

5. Keep all flammable materials or petroleum-based products away from the equipment.

6. Never attempt to lubricate the equipment.

7. Never use aerosol sprays near the equipment.

To prevent high concentrations of oxygen:

1. Keep the equipment in a well-ventilated area.

2. Do not carry equipment under a coat or any form of clothing.

3. Turn off oxygen supply by closing the cylinder valve when not in use.

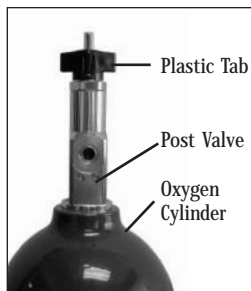
⚠ WARNING**To reduce the risk of injury:**

1. Keep all units away from children. Do not allow unauthorized or untrained individuals to operate the equipment. Never tamper with or try to repair the equipment yourself. If you have any questions or suspect your equipment is not operating properly, contact your oxygen provider.
2. Do not immerse in liquids or subject device to harsh conditions.
3. Do not use in temperatures greater than 104°F (40°C) or below 41°F (5°C).
4. Do not use with other equipment (i.e. humidifier, nebulizer, etc.) when in PulseDose delivery mode.

PHYSICIAN'S NOTES

1. Do not use with patients who breathe below 6 Breaths Per Minute (BPM) or above 40 BPM.
2. Do not use with patients who consistently fail to trigger equipment (i.e. mouth breathing with closed soft palates).
3. Verify patient is getting adequate PaO₂ or SaO₂ levels in PulseDose delivery.
4. Use only standard nasal cannula with PulseDose delivery. Do not use pediatric (low-flow) nasal cannula or mask with PulseDose delivery.
5. A mask or any nasal cannula can be used with continuous flow delivery.
6. The standard device contains a preset 2 LPM continuous flow backup. The service manual describes how to change the cannula fitting to obtain a 3, 4, 5 or 6 LPM continuous flow backup.

NOTE– This conserving device is designed to fit onto 870-style or “pin-index” cylinders as pictured.



INDICATIONS FOR USE

The DeVilbiss PD1000 Compact Conserving Device is intended as a delivery device for medical-grade oxygen from high-pressure oxygen cylinders. This is an ambulatory device, which allows patients to ambulate longer than they would with a continuous flow regulator on the same cylinder.

HOW PULSEDOSE WORKS

PulseDose dramatically extends the use time from a supply of oxygen, offering increased mobility with improved comfort and increased efficiency. The reliability and safety of PulseDose oxygen delivery has been proven effective in clinical testing as well as through independent tests performed by physicians and respiratory therapists.

What is PulseDose? The concept is based on the fact that the normal breathing pattern is inhalation for 1/3 of the time, and exhalation about 2/3 of the time. At 20 BPM the oxygen delivered in continuous flow, assuming inspiration is 1/3 of the breathing cycle, would be 16.5 cc/LPM. As a result, PulseDose extends the use time of an oxygen system by an average of 3:1. PulseDose senses the start of inhalation and instantly releases a short “pulsed” dose at the very beginning of the breathing cycle. Since all of the “pulsed” oxygen finds its way deep into the lungs, less oxygen is required to accomplish the same effect than with traditional continuous flow oxygen systems. This means that a PulseDose oxygen system will last two to four times longer than a continuous flow oxygen system, yet still provide the same therapeutic benefit.

Because oxygen is released only during inhalation, the constant flow of oxygen into the nostrils is eliminated. Many users find PulseDose oxygen delivery more comfortable than continuous flow delivery systems. The short “pulse” of oxygen delivered during inhalation is almost undetectable, and the humidity in the room air helps maintain a normal level of moisture in the nasal cavity. This greatly reduces the discomfort of dehydration associated with a continuous flow oxygen system.

Because PulseDose responds to each individual's breathing patterns, the use time will vary for each individual depending on the PulseDose prescription rate and the breath rate. The following chart shows the theoretical ambulatory ranges for DeVilbiss PulseDose products.

NOTE– All ambulatory ranges are calculated assuming a breath rate of 20 breaths per minute in PulseDose (PD) mode.

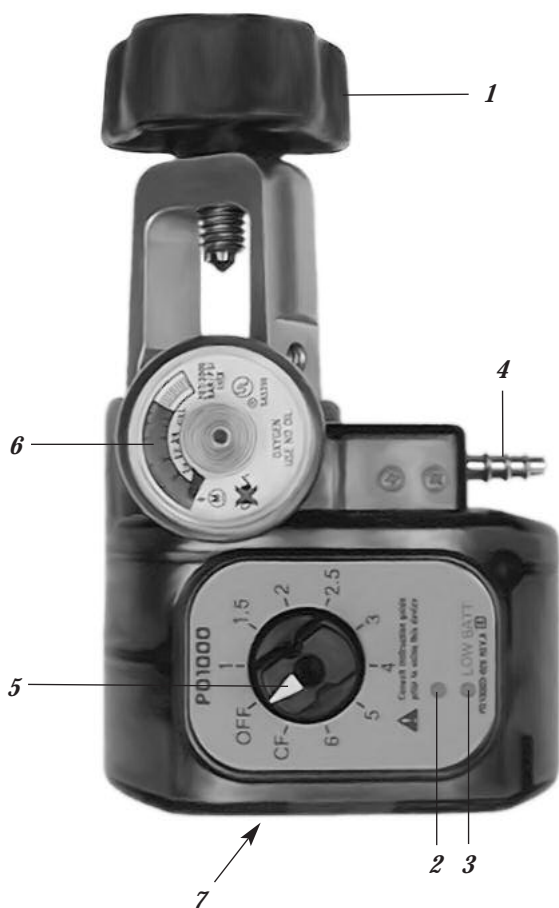
USE TIMES SHOWN IN HOURS									
Delivered Volume cc's:	16.5	24.75	33	41.25	49.5	66	82.5	99	
Flow Rate:	1	1.5	2	2.5	3	4	5	6	Mode
Walkabout® Mini M-6 Cylinder 164 Gaseous Liters	2.7	1.8	1.4	1.1	.9	.7	.6	.4	CF
	8.3	5.5	4.1	3.3	2.8	2.1	1.7	1.4	PD
Hideaway® ML-6 Cylinder 170 Gaseous Liters	2.8	1.9	1.4	1.1	.9	.7	.6	.5	CF
	8.6	5.7	4.3	3.4	2.9	2.1	1.7	1.4	PD
Walkabout 1 "C" Cylinder 240 Gaseous Liters	4.0	2.7	2.0	1.6	1.3	1.0	.8	.7	CF
	12.1	8.1	6.1	4.9	4.0	3.0	2.4	2.0	PD
Walkabout 2 "D" Cylinder 415 Gaseous Liters	6.9	4.6	3.5	2.8	2.3	1.7	1.4	1.2	CF
	21.0	14.0	10.5	8.4	7.0	5.2	4.2	3.5	PD
Walkabout 3 "E" Cylinder 682 Gaseous Liters	11.4	7.6	5.7	4.6	3.8	2.8	2.3	1.9	CF
	34.4	23.0	17.2	13.8	11.5	8.6	6.9	5.8	PD

CF=Continuous Flow

PD=PulseDose

Specifications subject to change without notice. This chart is intended to be used only as a guide.

Cylinders vary in gaseous liter capacity by manufacturer which may result in varying use times.



1. **Knob**– This knob is used to attach the conserving device to the cylinder.
 2. **PulseDose Indicator**– Either green or red light illuminates each time the unit pulses oxygen.
 - **Normal Battery Indicator**– A flashing green light indicates that there is sufficient battery power.
 3. **Low Battery Indicator**– A flashing red light indicates that there are 4 - 8 hours of battery life remaining. The low battery indication time may be reduced when using NiMH batteries.
 - **Change Battery Indicator**– A constant red light indicates that the battery should be changed immediately. Unit can be used only in continuous flow mode until new batteries are installed.
 4. **Cannula Fitting**– Use this fitting to attach the cannula to your PulseDose conserving device.
 5. **Rotary Selector**– When this rotary switch is set to “OFF,” the unit is not using battery power and will not pulse. When this switch is set to one of the numbers, the unit is on and awaiting inspiration through the nasal cannula at which time it will dose on every breath. The volume of the oxygen delivered varies according to which prescription flow setting is chosen. The final setting on the rotary switch is “CF”; this is the continuous flow position. In this position oxygen will flow from the cannula fitting at the default continuous flow rate.
 6. **Oxygen Contents Gauge**– Indicates the remaining pressure in the oxygen cylinder. When this gauge falls into the red section, you should switch to a new cylinder.
 7. **Battery Door**– Use only a standard “AA” Alkaline or NiMH batteries.
- NOTE**– Continuous flow mode is not powered by the batteries and can be used regardless of the battery level. In the event of a device failure or dead batteries, the user must manually switch the unit to continuous flow for delivery of oxygen. The device will not automatically switch to continuous flow. The oxygen cylinder will not last as long in continuous flow mode as it would in PulseDose mode. Unless there is a problem with the unit, such as dead batteries, the unit should be used in PulseDose mode.
-

INSERTING A BATTERY INTO THE PULSEDOSE COMPACT CONSERVING DEVICE

1. Open the battery door.
2. Insert 2 “AA” Alkaline or NiMH batteries.
3. Close the battery door.

NOTE– When changing batteries, first turn the rotary selector to the “OFF” position.

ATTACHING YOUR PULSEDOSE COMPACT CONSERVING DEVICE TO THE CYLINDER

1. Loosen the knob.
2. Carefully lower the conserving device over the post of the cylinder.

CAUTION– Alignment pins can damage sealing surfaces of the post increasing the chance of leakage.

3. Align the pins in the conserving device to the holes in the cylinder post as you would a standard regulator.
4. Hand-tighten the knob until the conserving device is secure.

USING YOUR PULSEDOSE COMPACT CONSERVING DEVICE

1. Open the cylinder.
2. Attach the standard nasal cannula to the conserving device and to your nose and face. Oxygen tubing up to 35 feet long may be used in PulseDose delivery mode.
3. Turn the rotary selector to the prescribed flow setting.
4. Breathe normally, the conserving device will deliver a bolus of oxygen at the leading edge of inspiration on every breath up to 40 breaths per minute.
5. When you are finished using the PulseDose conserving device, turn your cylinder to the closed position, and rotate the rotary selector to the “OFF” position.



 **WARNING**

To prevent injury from cylinders tipping over, do not use cannula tubing lengths over 10 feet with small compressed oxygen cylinders. Unattended cylinders should be secured in a cylinder stand.

NOTE– A mask should not be used in the PulseDose delivery mode as it may not fit to the face well enough to allow the conserving device to sense inhalation efforts. Also, the therapeutic effect of PulseDose would not be realized, as the dose of oxygen would be diluted in the mask prior to inhalation.

NOTE– A pediatric or low-flow cannula should not be used in PulseDose delivery mode. The reduced diameter of the cannula causes too much back pressure and will affect the oxygen volume delivered.

NOTE– PulseDose delivers oxygen in a very short “puff.” It does not deliver oxygen during the entire inhalation. The length of time that PulseDose delivers oxygen will not vary from breath to breath. The time is set in correlation to the oxygen dosage set on the conserving device (patient’s prescription setting).

NOTE– PulseDose is designed to prevent the delivery of pulses more than every 1 1/2 seconds. If the breath rate is greater than 40 BPM, this feature prevents delivery of excessive oxygen by not dosing on every breath.

NOTE– If using NiMH batteries, carefully monitor when the low battery indicator flashes red. It is recommended that a spare fully-charged set of batteries be kept in reserve and installed when the change battery indicator is constant red.

Q. How does PulseDose work? How does it know when I'm inhaling?

A. When inhaling, your diaphragm moves down and causes a drop in pressure in the lungs. Air flows in through the nose and mouth to equalize the pressure. This negative pressure is also present at the nose and mouth during inhalation. This pressure signal travels through the nasal cannula to a pressure sensor in the PulseDose conserving device. An electronic circuit then opens an electrical valve to deliver a precisely metered dose of oxygen. When the valve is closed, the sensor is ready to detect the next inhalation.

Q. The pulse seems so short. Am I really getting enough oxygen?

A. Yes. PulseDose delivers a precise burst of oxygen at a relatively high flow rate at the leading edge of each inhalation. This assures that the oxygen delivered flows deep into the lungs for maximum benefit. PulseDose requires less oxygen to deliver the same therapeutic benefit as continuous flow oxygen delivery.

Q. I can't hear the pulse. Is PulseDose working?

A. If the pulse can't be heard, simply look at the green PulseDose indicator to see that the device is being triggered by inhalation. For further assurance, hold the end of the cannula in front of your lips while inhaling through your mouth and feel the pulse. PulseDose does not monitor the supply of oxygen. Remember to check the oxygen contents gauge periodically to verify that there is an adequate oxygen supply. If the oxygen supply runs out, the green PulseDose indicator light will continue to illuminate, indicating that the conserving device is being triggered by inhalation.

Q. Why can't I use a cannula which is longer than 35 feet?

A. The PulseDose triggering is not significantly affected by the cannula length, but the delivery of oxygen is affected. If the cannula is longer than 35 feet, the pulse of oxygen is delayed. Remember the therapeutic moment during the inhalation cycle. If the oxygen is not delivered during this time, the benefits will not be realized.

Q. I've always used humidifiers with oxygen. Should I use a humidifier with PulseDose?

A. No. PulseDose is not able to sense inhalation through the water in the humidifier. Also, many patients find that humidification is not necessary with PulseDose. They find that PulseDose improves comfort because it delivers a very small amount of oxygen during the early part of inhalation, while the rest of the inhalation is composed of normal room air.

Q. When I'm breathing faster, I don't get a pulse with each breath. Don't I need a dose every time?

A. Because PulseDose breathes with the patient, it has an upper limit (40 Breaths Per Minute) that keeps you from getting too much oxygen. When breathing slowly, you receive a dose with every breath. As breath rate increases (up to 40 BPM) PulseDose still delivers a dose with every breath. At this point, you are getting more oxygen per minute because each pulse delivers the same amount of oxygen with each breath while the number of breaths has increased. With continuous flow oxygen, the oxygen delivered is constant. As you breathe faster, the enrichment of inhalations actually decreases because each breath is being diluted with a greater amount of room air.

CARE & MAINTENANCE

The DeVilbiss PulseDose compact conserving device should be kept clean and free from moisture and dust. The device should be protected from extreme temperatures. Clean the device periodically by wiping it with a dry, lint-free cloth. Do not clean the unit with a solvent based cleaning solution. Avoid dropping the conserving device or placing it in a position where it could topple or fall since this can damage the device. Whenever possible, use a padded carrying bag such as the Hideaway or Walkabout bags to carry the conserving device and cylinder. This will help to protect the conserving device in case of a fall. Avoid getting fluids or debris such as sand or dirt inside the device.

CAUTION– To prevent product damage, do not expose the PulseDose conserving device to water.

SPECIFICATIONS

Weight	14.7 ounces 16.3 ounces with battery
Dimensions....	4.75"L x 3.4"W x 2.8"H (12.06 cm L x 8.64 cm W x 7.11 cm H)
Power Supply	(2) Standard "AA" alkaline or NiMH batteries.
Power Requirements.....	Batteries other than alkaline or NiMH are not recommended due to the capacity needed for operation and battery life of the unit.
Operating Temperature Range.....	5° to 40°C (41° to 104°F)
Operating Pressure Range	500 to 2250 PSIG (34 to 155 bar) tank pressure
Operating Atmospheric Conditions.....	500 to 1020 millibar
Operating Humidity Range	0 to 95% R.H., non-condensing
Storage and Transportation Temperature Range.....	-20° to 60°C (-4° to 140°F)
Storage and Transportation Humidity Range	Up to 95% R.H., non-condensing
Degree of Protection Against Ingress of Liquids	NONE
Degree of Protection Against Electric Shock.....	TYPE BF applied part
Modes of Operation.....	Continuous / Pulsed
Approval Body And Safety Standard	IEC 601-1; CAN/CSA-C22.2 No 601.1-M90
US Patents	4,519,387; 5,755,224; 4,457,303

WARNING

Do not attempt to open the device for maintenance or repair. The conserving device contains no user-serviceable parts. Contact your oxygen provider if service is required.

Symptoms	Possible Causes	Remedies
<p>Oxygen is not being delivered even though the PulseDose indicator is flashing every time I breathe.</p>	<ol style="list-style-type: none"> 1. Oxygen supply is empty. 2. Oxygen supply is not turned on. 	<ol style="list-style-type: none"> 1. Check contents indicator on the device. If empty, switch cylinders. 2. Open the compressed oxygen cylinder valve by following the directions given by your service representative.
<p>Use times are different from those stated in the literature.</p>	<ol style="list-style-type: none"> 1. PulseDose responds to your breath rate. Your breath rate may vary, which causes the operation time to vary. 2. Leak in system 	<ol style="list-style-type: none"> 1. PulseDose is operating correctly. 2. Check connection to cylinder. It may need a new regulator seal.

Symptoms	Possible Causes	Remedies
<p>PulseDose will not pulse</p>	<ol style="list-style-type: none"> 1. Cannula is not adjusted properly. 2. Unit is not turned on. 3. Batteries discharged or not installed. 4. Mouth breathing with closed soft palates. 5. Unit did not reset while changing batteries (red light stays on). 	<ol style="list-style-type: none"> 1. Check all cannula connections to make sure they are tight, and adjust the cannula to fit comfortably in your nose. Ensure tubing is not kinked. 2. Turn the rotary selector to the appropriate setting. 3. Install new batteries. 4. Breathe through the nose (cannula). 5. Turn the unit off and back on using the rotary selector.
<p>PulseDose works fine for a couple of minutes, then sensitivity seems to drift and may stop working altogether.</p>	<p>Using pediatric cannula or any cannula that restricts continuous flow capacity of 10 lpm.</p>	<p>Replace with standard nasal cannula.</p>

PHYSICIAN INFORMATION

Name: _____

Address: _____

Telephone: _____

Emergency Telephone: _____

PRESCRIPTION INFORMATION

Patient's Name: _____

Flow Setting (LPM): _____

SET-UP INFORMATION

Name of Person Setting Up: _____

OXYGEN PROVIDER

Emergency Telephone Number: _____

This instruction guide was reviewed with me and I have been instructed on the safe use and care of the DeVilbiss PulseDose oxygen conserving device.

Patient or Caregiver Signature_____
Date

TABLA DE CONTENIDO

Normas de Seguridad Importantes.....	20
Introducción.....	23
Tiempos de Uso.....	24
Partes Importantes de su Aparato de Regulación	
Compacto PulseDose	25
Instrucciones de Funcionamiento	27
Preguntas Comunes y sus Respuestas	29
Cuidado y Mantenimiento	31
Especificaciones	32
Detección y Solución de Problemas	33
Información Importante	35

NORMAS DE SEGURIDAD IMPORTANTES

La información contenida en esta guía pretende ayudarle a conseguir un funcionamiento seguro del equipo y obtener su máximo rendimiento.

Este producto debe utilizarse solamente para suministrar oxígeno medicinal (U.S.P.) y bajo prescripción facultativa.

LEA TODAS LAS INSTRUCCIONES ANTES DE USAR ESTE APARATO

GUARDE ESTAS INSTRUCCIONES

El oxígeno suministrado por este aparato no debe considerarse como tratamiento vital y dicho aparato debe suministrar solamente oxígeno medicinal (U.S.P.).

Siempre que se utilicen aparatos eléctricos deben seguirse unas precauciones básicas de seguridad. Lea todas las instrucciones antes de usar este aparato.

La información relevante viene señalada por medio de estos términos:

- PELIGRO**– Información de Seguridad urgente sobre peligros que podrían ocasionar lesiones serias o incluso la muerte.
- ADVERTENCIA**– Información de seguridad importante sobre peligros que podrían ocasionar lesiones serias.
- PRECAUCIÓN**– Información para evitar daños al aparato.
- NOTA**– Información a la que debe prestar atención especial.



Consulte las instrucciones de funcionamiento



PELIGRO– NO FUMAR



Parte aplicada Tipo BF

PELIGRO

Para reducir el riesgo de incendio, quemaduras o lesiones personales: El oxígeno, aunque no es inflamable, potencia y acelera vigorosamente la combustión de los materiales inflamables. Si sabe o sospecha que ha salido más oxígeno del normal durante su funcionamiento, abra puertas y ventanas para ventilar el área.

1. NO FUME MIENTRAS UTILIZA EL EQUIPO DE OXÍGENO DEVILBISS.

Mantenga las cerillas, cigarrillos, tabaco o velas encendidas lejos del lugar donde haya guardado o esté funcionando el sistema.

2. Evite la formación de chispas cerca del equipo de oxígeno. Esto incluye las chispas de electricidad estática producida por cualquier tipo de fricción.
3. Mantenga el equipo como mínimo a 2,13 m (7 pies) de distancia de radios, televisores, sistemas de aire acondicionado, ventiladores, maquinillas de afeitar eléctricas, secadores de cabello y todo tipo de aparatos eléctricos.
4. Mantenga el equipo lejos de fuentes de calor, estufas eléctricas o de gas, chimeneas o cocinas.
5. Mantenga todos los materiales inflamables o productos que contengan petróleo lejos del equipo.
6. No intente nunca lubricar el equipo.
7. No utilice nunca aerosoles cerca del equipo.

Para evitar las altas concentraciones de oxígeno:

1. Mantenga el equipo en un área bien ventilada.
 2. No transporte el equipo debajo del abrigo o cualquier otro tipo de prenda de vestir.
 3. Apague el suministro de oxígeno cerrando la válvula de la botella mientras no esté utilizándola.
-

⚠ ADVERTENCIA

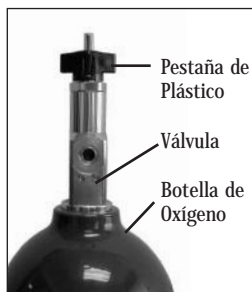
Para reducir el riesgo de lesiones:

1. Mantenga todas las unidades lejos del alcance de los niños. No permita que personas no autorizadas o sin la debida formación manipulen el equipo. Nunca manipule o intente reparar el equipo usted mismo. Si tiene alguna pregunta o sospecha que su equipo no funciona correctamente, póngase en contacto con su proveedor de oxígeno.
2. No lo sumerja en líquidos ni lo someta a condiciones adversas.
3. No lo utilice en temperaturas superiores a los 40 °C (104 °F) o inferiores a los 5 °C (41 °F).
4. No lo utilice conjuntamente con otros aparatos (Ej.: Humidificador, nebulizador, etc.) cuando esté en modo de suministro PulseDose.

RECOMENDACIONES DEL MÉDICO

1. No lo utilice con pacientes que realizan menos de 6 Respiraciones por Minuto (RPM) o más de 40 RPM.
2. No lo utilice con pacientes que continuamente impiden que se active el equipo (Ej.: respiración bucal con el velo del paladar cerrado).
3. Verifique que el paciente recibe los niveles adecuados de PaO₂ o SaO₂ en el suministro PulseDose.
4. Utilice solamente una cánula nasal estándar con el suministro PulseDose. No utilice mascarillas o cánulas nasales pediátricas (de bajo flujo) con el suministro PulseDose.
5. Puede utilizarse cualquier cánula nasal o mascarilla con el suministro de flujo continuo.
6. El aparato estándar contiene una reserva predeterminada de flujo continuo de 2 LPM. La guía de instrucciones describe cómo cambiar el adaptador de la cánula para obtener una reserva de flujo continuo de 3, 4, 5 ó 6 LPM.

NOTA– Este aparato regulador está diseñado para acoplarse a botellas "pinindex" o de 870 como las que se muestran en el dibujo.



INDICACIONES DE USO

El Aparato de Regulación Compacto PulseDose PD1000 de DeVilbiss se utiliza para el suministro de oxígeno médico con botellas de oxígeno de alta presión. Este aparato ambulatorio permite a los pacientes andar más tiempo que con un regulador de flujo continuo y la misma botella.

COMO FUNCIONA EL PULSEDOSE

El PulseDose extiende de modo drástico el tiempo de uso del suministro de oxígeno, ofreciendo mayor movilidad, comodidad y eficacia. La confiabilidad y seguridad del suministro de oxígeno PulseDose ha sido probada de manera efectiva en pruebas clínicas al igual que por medio de pruebas independientes realizadas por médicos y terapeutas del tracto respiratorio.

¿Qué es el PulseDose? El concepto PulseDose tiene como base el modo normal de respiración que consiste en la inhalación durante 1/3 del tiempo y la exhalación durante cerca de 2/3 del tiempo. A 20 RPM, y suponiendo que la inspiración es 1/3 del ciclo respiratorio, el oxígeno suministrado con el flujo continuo será de 16,5 cc/LPM. Como consecuencia, el PulseDose extiende el tiempo de uso de un sistema de oxígeno en un promedio de 3:1. El PulseDose detecta el comienzo de la inhalación e instantáneamente libera una dosis corta “pulsante” al principio del ciclo de respiración. Puesto que todo el oxígeno “pulsante” llega a los pulmones, se requiere menos oxígeno para lograr el mismo efecto que con los sistemas de flujo continuo de oxígeno tradicionales. Esto significa que un sistema de oxígeno PulseDose durará de dos a cuatro veces más que un sistema de flujo continuo de oxígeno, y a la vez proporcionará los mismos beneficios terapéuticos.

Debido a que el oxígeno se libera únicamente durante la inhalación, se elimina el flujo constante de oxígeno a las fosas nasales. Muchos usuarios encuentran el suministro de oxígeno PulseDose más cómodo que los sistemas de suministro de flujo continuo. El “pulso” corto de oxígeno suministrado durante la inhalación es prácticamente imposible de detectar y la humedad del aire en la habitación ayuda a mantener el nivel normal de humedad en las fosas nasales. Esto reduce en gran medida las molestias causadas por la deshidratación relacionada con los sistemas de oxígeno de flujo continuo.

Debido a que el PulseDose responde a los modos de respiración de cada individuo, el tiempo de uso variará de un individuo a otro dependiendo de la frecuencia de respiración y de la cantidad prescrita del PulseDose. La siguiente tabla muestra teóricamente los rangos ambulatorios de los productos PulseDose de DeVilbiss.

NOTA– Todos los rangos ambulatorios se calculan partiendo de una frecuencia de respiración de 20 respiraciones por minuto en el modo PulseDose (PD).

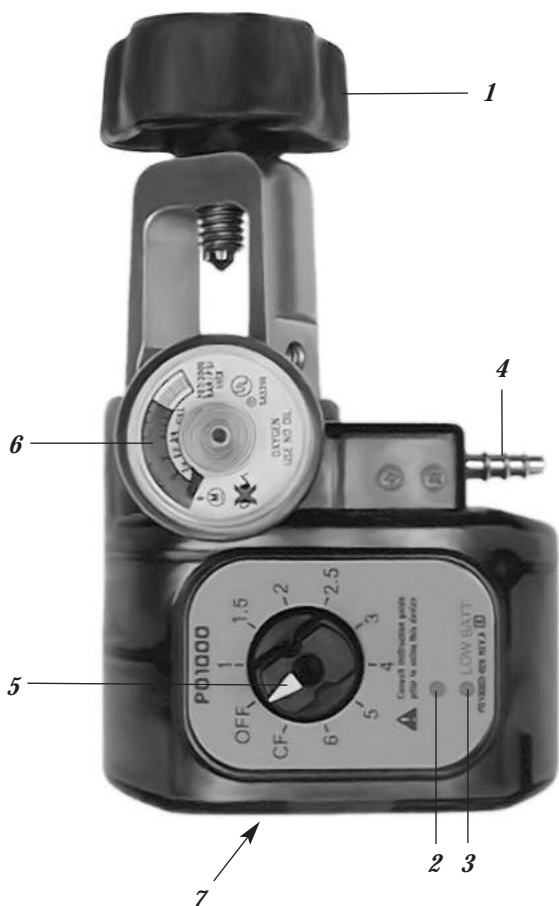
TIEMPOS DE USO EN HORAS									
c.c. de volumen suministrado:	16.5	24.75	33	41.25	49.5	66	82.5	99	
Frecuencia de Flujo	1	1.5	2	2.5	3	4	5	6	Mode
Botella M-6									
Walkabout® Mini de 164 Litros Gaseosos	2.7	1.8	1.4	1.1	.9	.7	.6	.4	CF
	8.3	5.5	4.1	3.3	2.8	2.1	1.7	1.4	PD
Botella ML-6									
Hideaway® de 170 Litros Gaseosos	2.8	1.9	1.4	1.1	.9	.7	.6	.5	CF
	8.6	5.7	4.3	3.4	2.9	2.1	1.7	1.4	PD
Botella "C"									
Walkabout 1 de 240 Litros Gaseosos	4.0	2.7	2.0	1.6	1.3	1.0	.8	.7	CF
	12.1	8.1	6.1	4.9	4.0	3.0	2.4	2.0	PD
Botella "D"									
Walkabout 2 de 415 Litros Gaseosos	6.9	4.6	3.5	2.8	2.3	1.7	1.4	1.2	CF
	21.0	14.0	10.5	8.4	7.0	5.2	4.2	3.5	PD
Botella "E"									
Walkabout 3 de 682 Litros Gaseosos	11.4	7.6	5.7	4.6	3.8	2.8	2.3	1.9	CF
	34.4	23.0	17.2	13.8	11.5	8.6	6.9	5.8	PD

CF=Flujo Continuo

PD=PulseDose

Las especificaciones están sujetas a cambios sin previo aviso. Esta tabla se presenta sólo como una guía.

Las botellas varían su capacidad en litros gaseosos dependiendo del fabricante, por ello pueden variar también los tiempos de uso.



1. **Tornillo de Sujeción**- Este tornillo se utiliza para sujetar el aparato de regulación a la botella.
2. • **Indicador PulseDose**- La luz verde o la roja se iluminan cada vez que la unidad pulsa oxígeno.
 - **Indicador de Batería Normal**- Una luz verde intermitente indica que hay suficiente batería.
3. • **Indicador de Batería Baja**- Una luz roja intermitente indica que quedan de 4 a 8 horas de batería. El periodo de tiempo de batería baja puede reducirse cuando se utilicen baterías NiMH.
 - **Indicador de Cambio de Batería**- Una luz roja constante indica que la batería debe cambiarse inmediatamente. La unidad solamente puede utilizarse en modo de flujo continuo hasta que se instalen baterías nuevas.
4. **Adaptador de Cánula**– Utilice este adaptador para sujetar la cánula a su aparato de regulación PulseDose.
5. **Selector Rotatorio**- Cuando se fija en "OFF" este selector rotatorio, la unidad no utiliza la batería y no pulsa. Cuando se fija el selector en uno de los números, la unidad está encendida y esperando que se inspire a través de la cánula nasal en cuyo momento suministrará una dosis en cada respiración. El volumen de oxígeno suministrado varía según el flujo prescrito que se elija. El último punto de selección del selector rotatorio es "CF", posición de Flujo Continuo. En esta posición el oxígeno fluirá desde el adaptador de la cánula a la velocidad de flujo continuo prefijado.
6. **Manómetro o Medidor de Oxígeno**- Indica la presión remanente en la botella de oxígeno. Cuando el manómetro baje hasta la sección roja, se deberá cambiar la botella por una nueva.
7. **Tapa de Batería**- Utilice solamente baterías alcalinas "AA" normales o baterías NiMH.

NOTA– El modo de flujo continuo no está cebado por las baterías y puede utilizarse sin tener en cuenta el nivel de las mismas. Si fallara el aparato o se agotaran las baterías, el usuario debe cambiar manualmente la unidad al modo de flujo continuo para suministrar el oxígeno. El aparato no cambiará automáticamente al modo de flujo continuo. La botella de oxígeno no durará tanto en el modo de flujo continuo como en el modo PulseDose. A menos que haya algún problema con la unidad, como que se hayan gastado las baterías, la unidad deberá utilizarse en el modo PulseDose.

COMO INSERTAR LA BATERÍA EN EL APARATO DE REGULACIÓN COMPACTO PULSEDOSE

1. Abra la tapa de la batería.
2. Inserte 2 baterías alcalinas “AA” o NiMH.
3. Cierre la tapa de la batería.

NOTA– Para cambiar las baterías, gire primero el selector rotatorio hasta la posición “OFF”.

COMO CONECTAR SU APARATO DE REGULACIÓN COMPACTO PULSEDOSE A LA BOTELLA

1. Afloje el tornillo de sujeción
2. Fije cuidadosamente el aparato de regulación sobre la botella.

PRECAUCIÓN– Los pivotes de alineación pueden dañar las superficies del saliente aumentando el riesgo de fugas.

3. Encare los pivotes del aparato de regulación con los agujeros del saliente de la botella tal y como haría con un regulador estándar.
4. Apriete el tornillo de sujeción hasta que el aparato de regulación esté bien sujeto.

COMO USAR SU APARATO DE REGULACIÓN COMPACTO PULSEDOSE

1. Abra la botella.
2. Sujete la cánula nasal estándar al aparato de regulación, y a su nariz y boca. Se puede utilizar un tubo de oxígeno de hasta 10,66 m (35 pies) de longitud cuando se use el modo de suministro PulseDose.
3. Gire el selector rotatorio hasta ponerlo en el punto correcto de flujo prescrito.
4. Respire normalmente. El aparato de regulación suministrará un bolo de oxígeno en el momento de inspiración cada vez que respire y hasta que se hayan realizado 40 respiraciones por minuto.
5. Cuando haya terminado de utilizar el aparato de regulación PulseDose, cierre la botella y gire el selector rotatorio hasta ponerlo en la posición “OFF”.



ADVERTENCIA

Para evitar lesiones si se volcaran las botellas, no utilice cánulas con tubos de más de 3 m (10 pies) de longitud con botellas pequeñas de oxígeno comprimido. Las botellas desatendidas deben colocarse de forma segura en la base para botellas.

NOTA– En el modo de suministro PulseDose no debe usarse una mascarilla ya que podría no ajustarse suficientemente bien a la cara para hacer que el aparato de regulación detecte los esfuerzos de inhalación. Asimismo, no se lograría el efecto terapéutico del PulseDose ya que la dosis de oxígeno se diluiría en la mascarilla antes de inhalarse.

NOTA– En el modo de suministro PulseDose no deben usarse cánulas pediátricas o de bajo flujo. El reducido diámetro de la cánula provoca demasiada contrapresión, afectando al volumen de oxígeno suministrado.

NOTA– El PulseDose suministra oxígeno en “bocanadas” muy cortas. No suministra oxígeno durante toda la inhalación. La duración del tiempo que el PulseDose suministra oxígeno no variará con las respiraciones. El tiempo se fija en correlación con la dosis de oxígeno fijada en el aparato de regulación (los valores prescritos para el paciente).

NOTA– El PulseDose está diseñado para evitar un suministro de pulsos superior a 1,5 segundos. Si la frecuencia de respiración es mayor de 40 RPM, esta característica evitará el suministro excesivo de oxígeno al no ser éste suministrado en cada respiración.

NOTA– Si utiliza baterías NiMH, vigile atentamente el indicador de batería baja cuando parpadee una luz roja. Se recomienda tener un juego de baterías nuevas para instalarlas cuando el indicador de cambio de batería permanezca en rojo.

P. ¿Cómo funciona el PulseDose? ¿Cómo sabe cuándo estoy inhalando?

R. Cuando inhala, su diafragma se desplaza hacia abajo produciendo una baja de presión en los pulmones. El aire fluye a través de la nariz y la boca para igualar la presión. Esta presión negativa también está presente en la nariz y la boca durante la inhalación. Esta señal de presión viaja a través de la cánula nasal al detector de presión del aparato de regulación PulseDose. Entonces un circuito electrónico abre una válvula eléctrica para suministrar una dosis de oxígeno exacta. Cuando la válvula está cerrada, el sensor está listo para detectar la siguiente inhalación.

P. El pulso parece muy corto, ¿estoy recibiendo suficiente oxígeno?

R. Sí. El PulseDose suministra una cantidad precisa de oxígeno a una frecuencia de flujo relativamente alta en el momento clave de cada inhalación. Esto asegura que el oxígeno suministrado fluya dentro de los pulmones para conseguir así el máximo beneficio. El PulseDose requiere menos oxígeno para proporcionar el mismo beneficio terapéutico que el suministro de flujo continuo de oxígeno.

P. No puedo oír el pulso. ¿Está funcionando el PulseDose?

R. Si el pulso no se puede oír, simplemente mire el indicador verde del PulseDose para ver si el aparato es activado por la inhalación. Para estar más seguro, sostenga el extremo de la cánula con la parte frontal de sus labios cuando inhale a través de la boca y sienta el pulso. El PulseDose no registra el suministro de oxígeno. Recuerde revisar periódicamente el manómetro o medidor de oxígeno para verificar que se suministra la cantidad de oxígeno adecuada. Si se agota el suministro de oxígeno, la luz verde del indicador del PulseDose continuará encendida, indicando que el aparato de regulación está siendo activado por la inhalación.

- P. ¿Por qué no puedo usar una cánula con una longitud de más de 10,66 m (35 pies)?**
- R.** La activación del PulseDose no se ve afectada significativamente por la longitud de la cánula, aunque ésta sí afecta al suministro de oxígeno. Si la cánula tiene una longitud superior a los 10,66 m (35 pies), el pulso de oxígeno se retrasa. Tenga presente el momento terapéutico durante el ciclo de inhalación. Si no se suministra oxígeno durante este momento, no se obtiene ningún beneficio.
- P. Siempre he usado humidificadores con oxígeno. ¿Debo usar un humidificador con el PulseDose?**
- R.** No. El PulseDose no puede detectar la inhalación a través del agua del humidificador. Además, muchos pacientes estiman que no es necesaria la humidificación con el PulseDose y opinan que el PulseDose es más cómodo porque suministra una cantidad de oxígeno muy pequeña durante la parte inicial de la inhalación y el resto de la inhalación está compuesto por aire ambiental.
- P. Cuando respiro más rápido no recibo un pulso en cada respiración. ¿No es necesario recibir una dosis cada vez?**
- R.** Debido a que el PulseDose respira con el paciente, tiene un límite superior (40 Respiraciones por Minuto) que evita que usted reciba demasiado oxígeno. Cuando respira despacio, usted recibe una dosis en cada respiración. Al aumentar la frecuencia respiratoria (hasta 40 RPM) el PulseDose sigue suministrando una dosis en cada respiración. En este momento usted está recibiendo más oxígeno por minuto ya que cada pulso suministra la misma cantidad de oxígeno en cada respiración y el número de respiraciones por minuto aumenta. Con oxígeno de flujo continuo, el oxígeno suministrado es constante. Cuando usted respira más rápido, la cantidad de oxígeno en cada inhalación disminuye ya que en cada respiración el oxígeno se diluye con mayor cantidad de aire ambiental.
-

CUIDADO Y MANTENIMIENTO

El aparato de regulación compacto PulseDose de DeVilbiss debe mantenerse limpio y sin polvo. También debe protegerse de la humedad y las temperaturas extremas. Limpie el aparato periódicamente con un paño seco y sin pelusa. No lo limpie con productos de limpieza que contengan disolventes. No deje que se caiga al suelo, ni lo coloque en lugares donde pueda volcarse o llegar a caerse, ya que esto podría dañarlo. Siempre que sea posible, utilice una bolsa acolchada como las bolsas Hideaway o Walkabout para transportar el aparato de regulación y la botella. Esto ayudará a protegerlos en caso de caída. Evite que se metan líquidos o restos de suciedad, como polvo o arena, dentro de su aparato.

PRECAUCIÓN– Para evitar dañarlo, no exponga el aparato de regulación PulseDose al agua.

ESPECIFICACIONES

Peso	0,42 Kg. (14,7 onzas) 0,46 Kg. (16,3 onzas con batería)
Dimensiones.....	4,75" Largo x 3,4" Ancho x 2,8" Alto (12,06 cm. Largo x 8,64 cm. Ancho x 7,11 cm. Alto)
Suministro de Energía ..	(2) Baterías alcalinas "AA" normales o baterías NiMH.
Requisitos de Energía.	No se recomienda el uso de baterías que no sean alcalinas o NiMH debido a la capacidad energética necesaria para el funcionamiento de la unidad y duración de la batería.
Rango de Temperatura de Funcionamiento.	5° a 40°C (41° a 104°F)
Rango de Presión de Funcionamiento	500 a 2250 PSIG (34 a 155 bares) presión de la botella
Condiciones Atmosféricas de Funcionamiento	500 a 1020 milibares
Rango de Humedad de Funcionamiento.....	0 a 95% H.R., sin condensación
Rango de Temperatura de Almacenamiento y Transporte	-20° a 60°C (-4° a 140°F)
Rango de Humedad de Almacenamiento y Transporte	Hasta 95% H.R., sin condensación
Grado de Protección contra el Ingreso de Líquidos	NINGUNO
Grado de Protección contra Descargas Eléctricas	Parte aplicada TIPO BF
Modos de Funcionamiento	Continuo / Pulsante
Aprobaciones y Estándar de Seguridad	IEC 601-1; CAN/CSA-C22.2 No 601.1-M90
Patentes de EE.UU.....	4,519,387; 5,755,224; 4,457,303

ADVERTENCIA

No trate de abrir el aparato para realizar trabajos de mantenimiento o servicio técnico. El aparato de regulación no tiene componentes que requieran servicio técnico por parte del usuario. Si su aparato requiriera servicio técnico, póngase en contacto con su proveedor de oxígeno.

Síntomas	Causas Posibles	Soluciones
No se suministra oxígeno aunque el indicador del PulseDose esté parpadeando cada vez que respiro.	<ol style="list-style-type: none"> 1. La botella de oxígeno está vacía. 2. La botella de oxígeno no está abierta. 	<ol style="list-style-type: none"> 1. Revise el indicador de contenidos del aparato. Cambie la botella si está vacía. 2. Abra la válvula de la botella de oxígeno comprimido siguiendo las instrucciones dadas por su representante de servicio técnico.
Los tiempos de uso son diferentes de aquellos que aparecen en la información proporcionada.	<ol style="list-style-type: none"> 1. El PulseDose responde a su frecuencia respiratoria. Su frecuencia respiratoria puede variar, haciendo variar también el tiempo de funcionamiento. 2. Fuga en el sistema. 	<ol style="list-style-type: none"> 1. El PulseDose está funcionando correctamente. 2. Compruebe la conexión de la botella. Tal vez necesite una goma nueva del regulador.

Síntomas	Causas Posibles	Soluciones
El PulseDose no pulsa.	<ol style="list-style-type: none"> 1. La cánula no está ajustada correctamente. 2. La unidad no está encendida. 3. Las baterías están descargadas o no están puestas. 4. Respiración bucal con el velo del paladar cerrado. 5. La unidad no se ha puesto a cero mientras se cambiaban las baterías (la luz roja sigue encendida). 	<ol style="list-style-type: none"> 1. Revise todas las conexiones de la cánula para asegurarse de que están apretadas y ajuste la cánula para que se acople cómodamente a su nariz. Asegúrese de que el tubo no está enroscado. 2. Gire el selector rotatorio hasta fijarlo en el valor adecuado. 3. Instale baterías nuevas. 4. Respire por la nariz (cánula). 5. Apague y encienda de nuevo la unidad con el selector rotatorio.
El PulseDose funciona bien durante un par de minutos y entonces pierde sensibilidad pudiendo llegar a dejar de funcionar completamente.	Cuando se utiliza una cánula pediátrica o cualquier cánula que restrinja una capacidad de flujo continuo de 10 lpm.	Reemplace la cánula por una cánula nasal estándar.

INFORMACIÓN DEL MÉDICO

Nombre: _____

Dirección: _____

Teléfono: _____

Teléfono de Emergencia: _____

INFORMACIÓN DE PRESCRIPCIONES

Nombre del Paciente: _____

Valor de Flujo (LPM): _____

INFORMACIÓN DE PREPARACIÓN DEL APARATO

Nombre de la Persona que Prepara el Aparato: _____

PROVEEDOR DE OXÍGENO:

Número de Teléfono de Emergencia: _____

Esta guía de instrucciones fue revisada en mi presencia y me han instruido en el uso seguro y el cuidado del aparato de regulación de oxígeno PulseDose de DeVilbiss.

Firma del Paciente o del Asistente Médico_____
Fecha

TABLE DES MATIÈRES

Mises en garde importantes	37
Introduction	40
Durées d'utilisation	41
Pièces importantes	42
Instructions de fonctionnement	44
Questions-réponses types	46
Entretien.....	48
Spécifications	49
Guide des pannes	50
Informations importantes	52

MISES EN GARDE IMPORTANTES

Les informations contenues dans ce manuel sont destinées à aider à un emploi du matériel dans de bonnes conditions de sécurité et pour permettre de bénéficier au maximum de ses avantages.

Ce produit ne doit être utilisé que pour la distribution d'oxygène de qualité médicale (U.S.P.) et uniquement sur ordonnance d'un médecin.

LIRE TOUTES LES INSTRUCTIONS AVANT L'UTILISATION.

CONSERVER CES INSTRUCTIONS.

L'oxygène fourni par ce matériel ne doit pas être considéré pour la réanimation et l'oxygène fourni doit exclusivement être de qualité médicale (U.S.P.).

Lors de l'utilisation de produits électriques, il faut toujours respecter les mesures de précaution de base. Lire toutes les instructions avant d'utiliser l'appareil.

Les informations importantes sont mises en relief par les termes suivants:

- DANGER**– Informations de sécurité d'urgence sur les dangers qui pourraient provoquer des blessures graves ou la mort.
- AVERTISSEMENT**– Informations importantes sur la sécurité relatives à des dangers pouvant entraîner des blessures graves.
- ATTENTION**– Informations destinées à empêcher l'endommagement du produit.
- REMARQUE**– Informations auxquelles il convient de prêter une attention particulière.



Reportez-vous aux instructions de fonctionnement



DANGER– INTERDICTION DE FUMER



Piece appliquée de type BF

DANGER

Pour réduire les risques d'incendies, de brûlure, d'électrocution ou de lésions corporelles : L'oxygène, bien qu'inflammable, alimente et accélère vigoureusement la combustion de tout matériau inflammable. En cas de fuite d'oxygène, confirmée ou suspectée, en dehors d'un fonctionnement normal, ouvrir portes et fenêtres pour aérer la zone.

1. NE PAS FUMER PENDANT L'UTILISATION DE L'ÉQUIPEMENT À OXYGÈNE DEVILBISS. Tenir allumettes, cigarettes, tabac incandescent ou bougies éloignés de l'aire de rangement ou d'utilisation de l'appareil.
2. Éviter de produire toute étincelle à proximité de l'équipement à oxygène. Ceci comprend les étincelles produites par l'électricité statique créée par tout type de friction.
3. Tenir l'équipement à une distance minimale de 2,10 m des postes de radios, de télévision, appareils d'air conditionné, ventilateurs, rasoirs électriques, séchoirs à cheveux et tout autre appareil électrique.
4. Tenir l'équipement à distance des sources de chaleur, des chauffages électriques ou au gaz de quelque type qu'ils soient, des cheminées ou des fours.
5. Tenir tous les matériaux inflammables ou tous les produits à base de pétrole éloignés de l'équipement.
6. Ne jamais lubrifier l'équipement.
7. Ne jamais utiliser de bombes aérosols à proximité de l'équipement.

Pour empêcher une concentration élevée d'oxygène :

1. Tenir l'équipement dans une zone bien ventilée.
 2. Ne pas porter l'équipement sous un manteau ou tout autre vêtement.
 3. Couper l'alimentation en oxygène en fermant le robinet de la bouteille lorsqu'elle n'est pas utilisée.
-

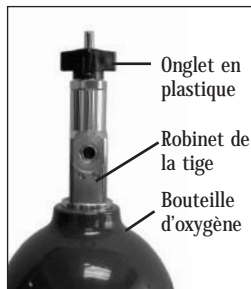
⚠ AVERTISSEMENT

Pour réduire les risques d'accident :

1. Tenir tous les appareils hors de portée des enfants. Ne pas permettre à des personnes non autorisées ou non formées de faire fonctionner l'équipement. Ne jamais démonter ou tenter de réparer l'équipement. Pour toute question ou en cas de doute sur le fonctionnement de l'appareil, contacter le fournisseur en oxygène.
2. Ne pas immerger dans des liquides ou exposer l'appareil à des conditions abusives.
3. Ne pas utiliser à des températures supérieures à 40°C (104°F) ou inférieures à 5°C (41°F).
4. Ne pas utiliser avec d'autres appareils (par exemple : humidificateurs, nébuliseurs, etc.) lorsque le PulseDose est en mode d'apport.

NOTES DESTINÉES AU MÉDECIN

1. Ne pas utiliser sur les patients dont le rythme respiratoire est inférieur à 6 respirations/minute ou supérieur à 40 respirations/minute.
2. Ne pas utiliser sur les patients qui ne parviennent pas à déclencher l'appareil (c'est-à-dire, respiration buccale avec palais mou fermé) de manière répétée.
3. Vérifier que le patient obtient des niveaux corrects de PaO₂ ou SaO₂ en mode d'apport PulseDose.
4. N'utiliser que la canule nasale standard en mode d'apport PulseDose. Ne pas utiliser de canule nasale (faible débit) ou de masque pédiatriques en mode d'apport PulseDose.
5. Un masque ou toute canule nasale peuvent être utilisés avec un système à débit continu.
6. L'appareil standard est muni d'un système de sûreté à débit continu pré-réglé à 2 L/m. Le manuel d'entretien décrit comment changer le raccord de la canule pour obtenir un système de sûreté à débit continu de 3, 4, 5 ou 6 L/m.



REMARQUE– Cet économiseur est conçu pour s'adapter aux bouteilles de style 870 ou à ergots et encoches comme l'illustre la photo.

CONSEILS D'UTILISATION

L'économiseur compact DeVilbiss PD1000 est destiné fournir un apport d'oxygène de qualité médicale à partir de bouteilles d'oxygène à haute pression. Il s'agit d'un appareil portable, qui permet aux patients de se déplacer plus longtemps qu'ils ne le pourraient avec un détendeur à débit continu sur une bouteille identique.

FONCTIONNEMENT DU PULSEDOSE

PulseDose prolonge considérablement la durée d'utilisation de l'alimentation en oxygène tout en permettant une mobilité accrue, un confort amélioré et une efficacité supérieure. La fiabilité et la sûreté de l'alimentation PulseDose a été prouvée en essais cliniques, ainsi que par des essais indépendants menés par des médecins et des thérapeutes en inhalothérapie.

Qu'est-ce que PulseDose ? Le concept se base sur le fait que la durée d'un cycle normal de respiration se divise en 1/3 d'inspiration et 2/3 d'expiration. À 20 L/m, l'oxygène fourni en débit continu, en supposant que l'inspiration constitue 1/3 du cycle respiratoire, serait de $16,5 \text{ c}^3/\text{L}/\text{m}$. Par conséquent, PulseDose prolonge la durée d'utilisation d'un système d'oxygène par un rapport de 3 - 1. PulseDose perçoit le début d'une inspiration et envoie instantanément une dose « pulsée » courte au tout début du cycle respiratoire. Comme la totalité de l'oxygène « pulsée » s'achemine en profondeur dans les poumons, il faut moins d'oxygène pour obtenir le même effet qu'avec les systèmes classiques d'oxygène à débit continu. Cela signifie qu'un système d'oxygène PulseDose dure entre deux et quatre fois plus longtemps qu'un système d'oxygène à débit continu, mais qu'il apporte les mêmes bienfaits thérapeutiques.

L'oxygène n'étant fourni qu'à l'inspiration, le débit constant d'oxygène dans les narines est éliminé. De nombreux utilisateurs trouvent que l'alimentation en oxygène du PulseDose est plus confortable que les systèmes à débit continu. La courte « impulsion » d'oxygène fourni à l'inspiration est pratiquement indétectable et l'humidité de l'air ambiant permet de maintenir un niveau d'humidité normal dans les cavités nasales. Cela réduit considérablement la sensation de gêne de la déshydratation liée à l'utilisation d'un système d'oxygène à débit continu.

Comme PulseDose répond aux cycles respiratoires individuels de l'utilisateur, la durée d'utilisation varie en fonction de chaque personne, du taux PulseDose prescrit et de la fréquence respiratoire. Le tableau suivant contient les rayons d'action théoriques des produits DeVilbiss PulseDose.

REMARQUE– Tous les rayons d'action sont calculés dans l'hypothèse d'une fréquence respiratoire de 20 respirations/minute en mode PulseDose (PD).

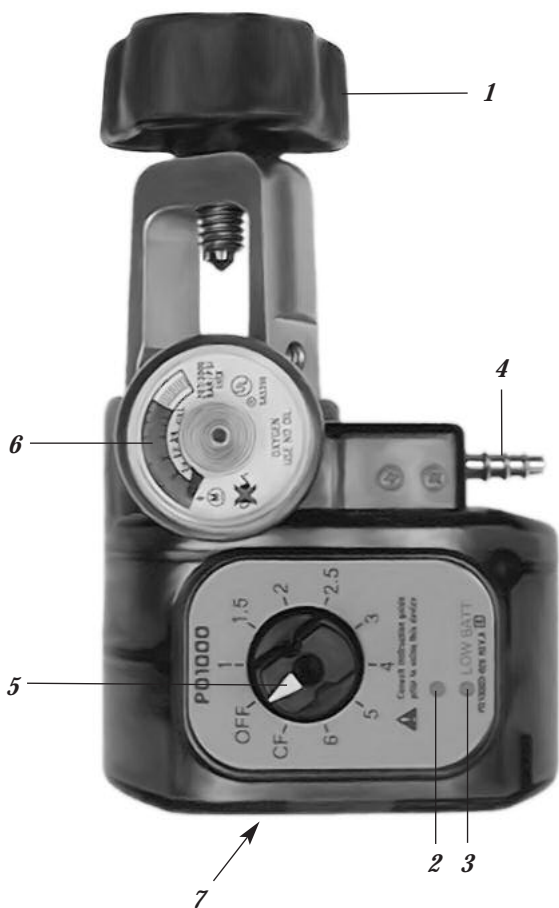
DURÉES D'UTILISATION EXPRIMÉES EN HEURES									
Volume fourni en c ³ :	16.5	24.75	33	41.25	49.5	66	82.5	99	
Débit	1	1.5	2	2.5	3	4	5	6	Mode
Bouteille Walkabout® Mini M-6 164 litres gazeux	2.7 8.3	1.8 5.5	1.4 4.1	1.1 3.3	.9 2.8	.7 2.1	.6 1.7	.4 1.4	CF PD
Bouteille Hideaway® ML-6 170 litres gazeux	2.8 8.6	1.9 5.7	1.4 4.3	1.1 3.4	.9 2.9	.7 2.1	.6 1.7	.5 1.4	CF PD
Bouteille Walkabout 1 "C" 240 litres gazeux	4.0 12.1	2.7 8.1	2.0 6.1	1.6 4.9	1.3 4.0	1.0 3.0	.8 2.4	.7 2.0	CF PD
Bouteille Walkabout 2 "D" 415 litres gazeux	6.9 21.0	4.6 14.0	3.5 10.5	2.8 8.4	2.3 7.0	1.7 5.2	1.4 4.2	1.2 3.5	CF PD
Bouteille Walkabout 2 "E" 682 litres gazeux	11.4 34.4	7.6 23.0	5.7 17.2	4.6 13.8	3.8 11.5	2.8 8.6	2.3 6.9	1.9 5.8	CF PD

CF=Débit Continu ("Continuous Flow")

PD=PulseDose

Les spécifications techniques peuvent être modifiées sans préavis. Ce tableau n'est destiné à être utilisé que comme guide.

La capacité en litres gazeux des bouteilles varie en fonction du fabricant, ce qui peut entraîner des durées d'utilisation différentes.



1. **Bouton**– Ce bouton sert à fixer l'économiseur à la bouteille.
2. • **Indicateur PulseDose**– Un voyant lumineux vert ou rouge s'allume chaque fois que l'appareil pulse de l'oxygène.
 - **Indicateur piles normales**– Un voyant vert clignotant indique que les piles sont suffisamment chargées.
3. • **Indicateur de piles déchargées**– Un voyant lumineux rouge clignotant indique qu'il reste entre 4 et 8 heures de durée d'accumulateur. La durée d'indication de piles déchargées peut être réduite par l'utilisation de piles NiMH.
 - **Indicateur de changement de piles**– Un voyant lumineux rouge allumé en permanence indique que les piles doivent être changées immédiatement. L'appareil ne peut être utilisé qu'en mode de débit continu jusqu'à l'installation de nouvelles piles.
4. **Raccord de canule**– Utiliser ce raccord pour fixer la canule à l'économiseur PulseDose.
5. **Sélecteur rotatif**– Lorsque ce cadran est placé en position éteinte (« OFF »), l'appareil n'utilise pas les piles et ne pulse pas. Lorsque ce cadran est réglé sur l'un des chiffres, l'appareil est en marche et attend une inspiration par la canule nasale pour régler la dose sur chaque respiration. Le volume de l'oxygène fourni dépend du réglage de débit de prescription choisi. Le réglage final du cadran est « CF » ; il s'agit de la position de débit continu. Dans cette position, l'oxygène est débité du raccord de la canule nasale de manière continue en fonction du taux de débit continu préréglé par défaut.
6. **Manomètre du contenu d'oxygène**– Cet instrument indique la pression restante dans la bouteille d'oxygène. Lorsque l'aiguille du manomètre passe sous la section rouge, il est temps de changer la bouteille.
7. **Couvercle du compartiment des piles**– N'utiliser que des piles alcalines « AA » ou NiMH normales.

REMARQUE– Le mode de débit continu n'est pas alimenté par les piles et peut être utilisé quel que soit le niveau de charge de celles-ci. En cas de panne de l'appareil ou de piles épuisées, l'utilisateur doit manuellement faire passer l'appareil en débit continu pour obtenir l'oxygène. L'appareil ne passe pas automatiquement en débit continu. La bouteille d'oxygène ne dure pas aussi longtemps en mode de débit continu qu'en mode PulseDose. Sauf problème avec l'appareil, comme des piles à plat, l'appareil doit de préférence être utilisé en mode PulseDose.

INSERTION DES PILES DANS L'ÉCONOMISEUR COMPACT PULSEDOSE

1. Ouvrir le couvercle du compartiment des piles.
2. Insérer 2 piles « AA » alcalines ou NiMH.
3. Refermer le couvercle du compartiment des piles.

ATTENTION– Pour changer les piles, veiller à d'abord tourner le sélecteur rotatif en position fermée (« OFF »).

FIXATION DE L'ÉCONOMISEUR COMPACT PULSEDOSE À LA BOUTEILLE

1. Desserrer le bouton.
2. Placer soigneusement l'économiseur sur la tige de la bouteille.

ATTENTION– Les broches d'alignement peuvent endommager les surfaces d'étanchéité de la tige, ce qui peut augmenter les possibilités de fuites.

3. Aligner les broches de l'économiseur aux orifices de la tige de la bouteille comme avec un détendeur classique.
4. Resserrer le bouton à la main jusqu'à ce que l'économiseur soit bien en place.

UTILISATION DE L'ÉCONOMISEUR COMPACT PULSEDOSE

1. Ouvrir la bouteille.
2. Placer la canule nasale standard à la fois sur l'économiseur et sur le nez et le visage. Un tube d'oxygène pouvant mesurer jusqu'à 10,66 m peut être utilisé en mode d'apport PulseDose.
3. Tourner le sélecteur rotatif sur le réglage de débit prescrit.
4. Respirer normalement, l'économiseur débite un bol d'oxygène en début d'inspiration pour chaque cycle respiratoire, jusqu'à 40 respirations/minute.
5. Lorsque l'économiseur n'est plus utilisé, tourner la bouteille en position fermée et tourner le sélecteur rotatif sur la position fermée (« OFF »).



AVERTISSEMENT

Pour empêcher tout accident dû à une chute de la bouteille, ne pas utiliser de longueurs de tube de canule supérieures à 3,04 m avec les bouteilles d'oxygène sous pression de petite taille. Les bouteilles laissées sans surveillance doivent être placées dans un râtelier prévu à cet effet.

REMARQUE– L'usage d'un masque est déconseillé en mode d'apport PulseDose car il risque de ne pas être adapté au visage suffisamment pour permettre à l'économiseur de percevoir les efforts inspiratoires. De même, l'effet thérapeutique du PulseDose ne serait pas entièrement réalisé, la dose d'oxygène étant diluée dans le masque avant l'inspiration.

REMARQUE– L'usage d'une canule pédiatrique ou à faible débit est déconseillé en mode d'apport PulseDose. Le diamètre réduit de la canule cause un excès de contre-pression et nuit au volume d'oxygène débité.

REMARQUE– PulseDose débite l'oxygène en « bouffées » très courtes. Il ne débite pas d'oxygène pendant la durée entière de l'inspiration. La durée de débit d'oxygène ne change pas d'un cycle respiratoire à l'autre. La durée est réglée en corrélation avec la dose d'oxygène réglée sur l'économiseur (réglage prescrit pour le patient).

REMARQUE– PulseDose est conçu pour ne pas dépasser un débit d'impulsions toutes les 1,5 secondes. Si le cycle respiratoire dépasse 40 respirations/minute, cette fonction empêche un débit excessif d'oxygène en ne dosant pas chaque cycle.

REMARQUE– Avec des piles NiMH, veiller attentivement à repérer lorsque le voyant rouge indicateur de piles déchargées clignote. Il est conseillé de garder un jeu de rechange de piles complètement chargées en réserve et de les installer lorsque le voyant indicateur de piles déchargées reste rouge.

Q. Comment fonctionne PulseDose ? Comment sait-il quand j'inspire ?

R. À l'inspiration, le diaphragme descend et cause une chute de pression dans les poumons. L'air passe par le nez et la bouche pour équilibrer la pression. Cette pression négative est également présente dans le nez et la bouche pendant l'inspiration. Ce signal de pression passe par la canule nasale pour arriver à un capteur de pression situé dans l'économiseur PulseDose. Un circuit électrique ouvre alors un robinet électrique pour débiter une dose précise d'oxygène. Lorsque le robinet est fermé, le capteur est prêt à détecter l'inspiration suivante.

Q. L'impulsion semble très courte. Est-ce que je reçois vraiment assez d'oxygène ?

R. Oui. PulseDose apporte une bouffée précise d'oxygène à un débit relativement élevé au début de chaque inspiration. Cela permet d'assurer que l'oxygène débité circule en profondeur dans les poumons pour une efficacité maximale. PulseDose utilise moins d'oxygène pour apporter les mêmes bienfaits thérapeutiques que les systèmes à débit continu d'oxygène.

Q. Je n'entends pas la pulsation. PulseDose fonctionne-t-il ?

R. Si l'impulsion est inaudible, il suffit d'observer le voyant indicateur PulseDose vert pour voir si l'appareil se déclenche à l'inspiration. Pour une garantie supplémentaire, tenez l'extrémité de la canule devant les lèvres tout en inspirant par la bouche pour ressentir la pulsation. PulseDose ne contrôle pas l'apport en oxygène. Rappelez-vous de vérifier le manomètre du contenu d'oxygène régulièrement pour constater que la quantité d'oxygène disponible est suffisante. Si l'alimentation en oxygène s'épuise, le voyant lumineux indicateur PulseDose vert reste allumé, indiquant que l'économiseur est déclenché par l'inspiration.

Q. Pourquoi ne puis-je pas utiliser de canule d'une longueur supérieure à 1,06 m ?+

R. Le déclenchement du PulseDose n'est pas considérablement affecté par la longueur de la canule, mais l'apport en oxygène l'est. Si la longueur de la canule dépasse 1,06 m, la pulsation d'oxygène est retardée. Rappelez-vous du moment thérapeutique pendant le cycle d'inspiration. Si l'oxygène n'est pas fourni à ce moment, les bienfaits ne sont pas réalisés.

Q. J'ai toujours utilisé des humidificateurs avec l'oxygène. Dois-je utiliser un humidificateur avec PulseDose ?

R. Non. PulseDose ne peut pas percevoir l'inspiration à travers l'eau présente dans l'humidificateur. De même, de nombreux patients trouvent que l'humidification est inutile avec PulseDose. Ils constatent que PulseDose améliore le confort parce qu'il fournit une très petite quantité d'oxygène au début de l'inspiration, alors que le reste de l'inspiration se compose d'air ambiant normal.

Q. Quand mon rythme respiratoire s'accélère, je n'obtiens pas d'impulsion à chaque cycle. N'ai-je pas besoin d'une dose à chaque fois ?

R. Comme PulseDose respire avec le patient, il est muni d'une limite supérieure (40 cycles respiratoires/minute) qui vous évite de recevoir trop d'oxygène. En respirant lentement, vous recevez une dose à chaque cycle respiratoire. À mesure que le rythme respiratoire s'accélère (jusqu'à 40 cycles/minutes), PulseDose fournit toujours une dose à chaque cycle. À ce stade, vous obtenez plus d'oxygène à la minute car chaque impulsion fournit la même quantité d'oxygène à chaque cycle respiratoire alors que le nombre de cycles augmente. Avec un système de débit continu d'oxygène, la quantité d'oxygène fourni est constante. À mesure que votre respiration s'accélère, l'enrichissement des inspirations diminue car chaque cycle respiratoire est dilué dans une quantité supérieure d'air ambiant.

ENTRETIEN

L'économiseur compact DeVilbiss PulseDose doit être propre et ne doit pas être exposé à l'humidité ou à la poussière. Cet appareil doit être protégé des températures extrêmes. Nettoyer cet appareil régulièrement en l'essuyant avec un chiffon sec non ouaté. Ne pas nettoyer l'appareil avec une solution nettoyante à base de produit solvant. Éviter de faire tomber l'économiseur ou de le placer dans une position où il risque de tomber, ceci pouvant l'endommager. Dans la mesure du possible, utiliser un sac rembourré comme les sacs Hideaway ou Walkabout pour transporter l'économiseur et la bouteille. Cela permet de protéger l'économiseur en cas de chute. Éviter que des fluides ou des débris, tels que du sable ou des saletés ne pénètrent dans l'appareil.

ATTENTION– Pour éviter tout endommagement du produit, ne pas exposer l'économiseur PulseDose à l'eau.

SPÉCIFICATIONS

Poids	416 grammes (14,7 onces) 462 grammes (16,3 onces) avec piles
Dimensions	12,06 cm L x 8,64 cm l x 7,11 cm H (4,75" L x 3,4" l x 2,8" H)
Alimentation électrique	(2) piles « AA » alcalines ou NiMH standard.
Considérations des besoins en électricité.	L'usage de piles autres qu'alcalines ou NiMH n'est pas conseillé en raison de la capacité requise pour le fonctionnement et la durée de service des piles de l'appareil.
Amplitude de températures de service.	de 5° à 40°C (41° à 104°F)
Amplitude de pression de service	pression de bouteille de 34 à 155 bar (500 à 2250 PSIG)
Conditions atmosphériques de service	de 500 à 1020 millibar
Amplitude d'humidité de service	de 5 % à 95 % d'humidité relative, sans condensation
Amplitude de températures de stockage et de transport	de -20° à 60°C (-4° à 140°F)
Amplitude d'humidité de stockage et de transport	jusqu'à 95 % d'humidité relative, sans condensation
Degré d'étanchéité	NÉANT
Degré de protection contre les décharges électriques	Pièce appliquée de TYPE BF
Modes de fonctionnement	Continu / pulsé
Organisme d'homologation et norme de sécurité....	IEC 601-1 ; CAN/CSA-C22.2 N° 601.1-M90
Brevets américains	4,519,387; 5,755,224; 4,457,303

AVERTISSEMENT

Ne pas tenter d'ouvrir l'appareil pour l'entretien ou des réparations. L'économiseur ne contient aucune pièce réparable par l'utilisateur. Contacter le fournisseur en oxygène pour tout besoin de réparation ou d'entretien.

Symptômes	Causes Possibles	Remèdes
<p>L'oxygène n'est pas débité même lorsque le voyant indicateur clignote à chaque fois que je respire.</p>	<ol style="list-style-type: none"> 1. La bouteille d'oxygène est vide. 2. L'alimentation en oxygène n'est pas allumée. 	<ol style="list-style-type: none"> 1. Vérifier l'indicateur de contenu sur l'appareil. S'il est vide, changer de bouteille. 2. Ouvrir le robinet de la bouteille d'oxygène comprimé en suivant les consignes administrées par le représentant du service technique.
<p>Les durées d'utilisation sont différentes de celles indiquées dans la documentation.</p>	<ol style="list-style-type: none"> 1. Le PulseDose ne répond pas à votre rythme respiratoire. Votre rythme respiratoire peut varier, ce qui peut entraîner une variation de la durée de fonctionnement. 2. Fuite dans le système 	<ol style="list-style-type: none"> 1. PulseDose fonctionne correctement. 2. Vérifier le raccord à la bouteille. Le détendeur pourrait avoir besoin d'un nouveau joint.

Symptômes	Causes Possibles	Remèdes
PulseDose ne pulse pas.	<ol style="list-style-type: none"> 1. La canule n'est pas ajustée correctement. 2. L'appareil n'est pas en marche. 3. Les piles sont déchargées ou ne sont pas installées. 4. Respiration buccale avec palais mou fermé. 5. L'appareil ne s'est pas remis à zéro après avoir changé les piles (le voyant lumineux rouge reste allumé). 	<ol style="list-style-type: none"> 1. Vérifier tous les raccords de la canule pour vérifier qu'ils sont bien serrés et ajuster la canule pour l'adapter confortablement au nez. Vérifier que le tube n'est pas coudé ou déformé. 2. Tourner le sélecteur rotatif sur le réglage correct. 3. Installer des nouvelles piles. 4. Respirer par le nez (canule). 5. Éteindre et rallumer l'appareil avec le sélecteur rotatif.
PulseDose fonctionne correctement pendant une ou deux minutes, puis la sensibilité semble erratique et peut s'arrêter complètement.	Utilisation d'une canule pédiatrique ou toute canule réduisant la capacité de débit continu à 10 L/m.	Remplacer par une canule nasale standard.

INFORMATIONS DESTINÉES AU MÉDECIN

Nom : _____

Adresse : _____

Téléphone : _____

Téléphone d'urgence : _____

INFORMATIONS SUR LA PRESCRIPTION

Nom du patient / de la patiente : _____

Réglage du débit (L/m) : _____

INFORMATIONS SUR L'INSTALLATION

Nom du / de la responsable de l'installation : _____

FOURNISSEUR EN OXYGÈNE

Numéro de téléphone d'urgence : _____

Ce guide d'instructions a été consulté avec moi et j'ai été informé(e) de l'utilisation et de l'entretien en toute sécurité de l'économiseur DeVilbiss PulseDoes.

Signature du patient / de la patiente ou de l'aide-soignant(e)

Date



DeVilbiss Healthcare LLC
100 DeVilbiss Drive
Somerset, PA 15501-2125
USA
800-338-1988 • 814-443-4881

DeVilbiss Healthcare Ltd
Sunrise Business Park
High Street
Wollaston, West Midlands
DY8 4PS
ENGLAND
+44-1384-446858

DeVilbiss Healthcare Ltd*
*Unit 3, Bloomfield Park
Bloomfield Road
Tipton, DY4 9AH
UNITED KINGDOM
opening 01.June 2012

DeVilbiss Healthcare Pty. Limited
15 Carrington Road, Unit 5
Castle Hill NSW 2154
AUSTRALIA
+61-2-9899-3144

DeVilbiss Healthcare SAS
13/17, Rue Joseph Priestley
37100 Tours
FRANCE
+33 (0) 2 47 42 99 42

DeVilbiss Healthcare GmbH
Kamenzer Straße 3
68309 Mannheim
GERMANY
+49-621-178-98-230

DeVilbiss Healthcare LLC • 100 DeVilbiss Drive • Somerset, PA 15501 • USA
800-338-1988 • 814-443-4881 • www.DeVilbissHealthcare.com

DeVilbiss®, PulseDose®, Hideaway® and Walkabout® are registered trademarks of DeVilbiss Healthcare.
© 2012 DeVilbiss Healthcare LLC. 03.12 All Rights Reserved. A-1000 Rev. B